



FOLDING STAIRS

Aktek is an industry leader in Fall Prevention, Fall Protection and Fall Safety Equipment.

Provide a safety access gangway that can accommodate height variations in tank cars, tank trucks and hopper trucks.



Aktek is an industry leader in Fall Prevention, Fall Protection and Fall Safety Equipment.

Provide a safety access gangway that can accommodate height variations in tank cars, tank trucks and hopper trucks.



Operator safety whilst working on the tops of tankers is coming under ever greater scrutiny from Health and Safety authorities throughout Europe. To reduce the risk of accidents when stepping from a fixed platform to a road or rail tanker AKTEK provides the AFS series Folding Stairs.

Available as 3, 4, or 5 step models these provide a nominal horizontal reach from 1.35m to 2.05m. Stair treads are fitted with 'moonscape' treads that easily drain to prevent icy or greasy surfaces. Each step remains horizontal whilst the Folding Stairs automatically adjust to varying tanker heights.

The basic spring balanced Folding Stairs design has been expanded to cater for many additional requirements such that AKTEK is now able to offer a safe and efficient solution for virtually all tanker access needs. The standard 800mm-stair width may be increased up to 4.0m, and safety cage widths up to 4.0m are offered in galvanized steel or aluminium. These full tanker length cages may be pneumatically or hydraulically power assisted.

APPLICATIONS

Safe access from fixed platforms to the top of a Road Tanker or Rail Tank Wagon

- Inspect the tanker for safety and maintenance
- Load the tanker
- Check the load and take samples
- Wash or de-contaminate compartment

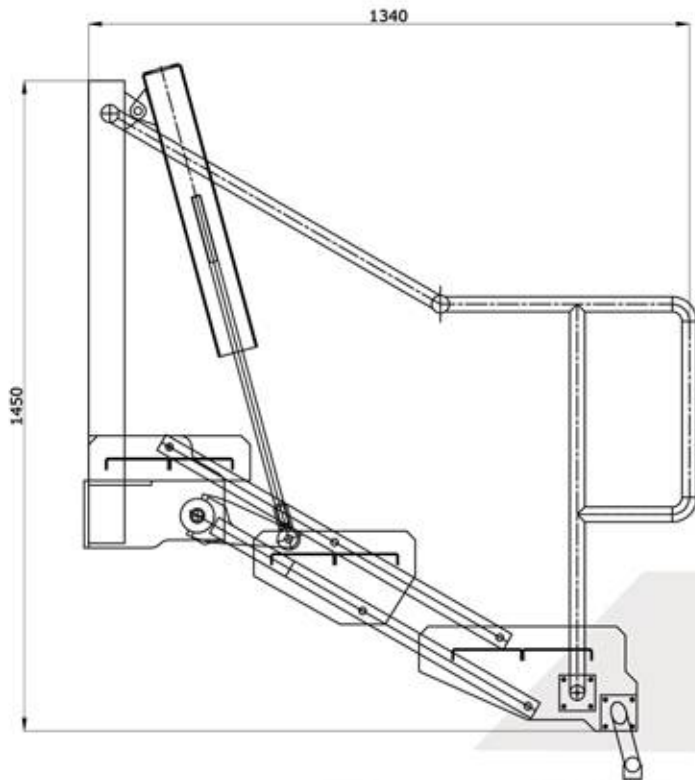
FEATURES

- Fully balanced self-levelling steps to automatically adjust to varying tanker heights
- Fully draining slip-free 'moonscape' grating on steps
- Safety handrails and knee guards fitted as standard
- Hinged safety step to protect against accidentally trapping toes
- Pull-rope to assist returning stairs to 'parked' position
- Vertical locking device (optionally offset) for 'parked' position with foot-pedal release
- Extended outboard step to provide additional area and stability, for stepping onto the tanker top
- Rubber bumper to prevent sparking and reduce risk of tanker damage



Aktek is an industry leader in Fall Prevention, Fall Protection and Fall Safety Equipment.

Provide a safety access gangway that can accommodate height variations in tank cars, tank trucks and hopper trucks.



OPTIONAL ACCESSORIES

- Manual or powered Safety Cages to protect operators whilst working on the top of the tanker
- Safety 'wings' mounted either side of the Folding Stairs to fill the space between the side of the platform and the tanker
- Locking chain and angle guide bracket to hold the stairs in any position.
- Position detection and control switches
- 'Key-lock' mechanical sequence interlock systems
- Step access width exceeding standard 800mm, on request

TECHNICAL SPECIFICATION

Dimensions:

Horizontal reach: choice of 1250mm, 1650mm or 2050mm

Step width: 800mm (standard)

Optional safety cage 1400mm deep X 1400mm (or 2800mm) wide. Special full tanker length safety cages available

Construction: Fabricated from mild steel section with steps manufactured from fully draining slip free 'moonscape' grating

Finish: Hot dip galvanised to BS729. Special painting is also available

Fixings: 8 X 18mm bolts to platform



BENEFITS

- Safe, reliable and easy means of tanker access
- Maintenance free spring cylinder and rotation joints
- Fulfils current Health & Safety at Work requirements and promotes safe working practice on tanker tops





Safety Cage



Pneumatic Operator



Mobile Tanker Access



Geodesic Dome Roof



Internal Floating Roof



Floating Roof Seal



Floating Suction System



Roof Drain System



Emission Control Systems



Special Products



Engineering



AKTEK TECHNOLOGY ENGINEERING CO.

Yeni Mh. Basöğretmen Cd. Dostluk Okulu Karşısı Yazlık - Gölcük - Kocaeli - TURKEY

Tel: +90 262 335 15 98-99 Fax: +90 262 335 15 67

info@aktekeng.com - www.aktekeng.com