

8100 Series Detonation Arresters are typically used on atmospheric tanks which contain volatile liquids.

INTRODUCTION

As with all AKTEK products, every Model 7658 Series is factory inspected to meet all critical requirements and special needs. Inventory is maintained to ensure rapid delivery.

DETONATION ARRESTERS

Model 7658 Series are designed to inhibit flame propagation in gas piping systems and to protect low pressure tanks containing flammable liquids. Arresters protect low flash point liquids from externally caused sources of heat and ignition. This provides increased fire protection and safety.

SPECIAL FEATURES

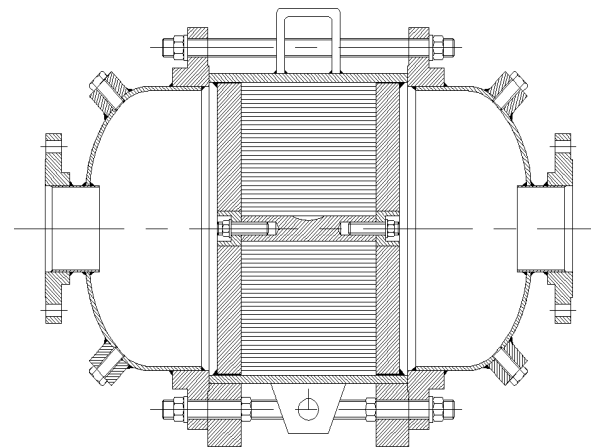
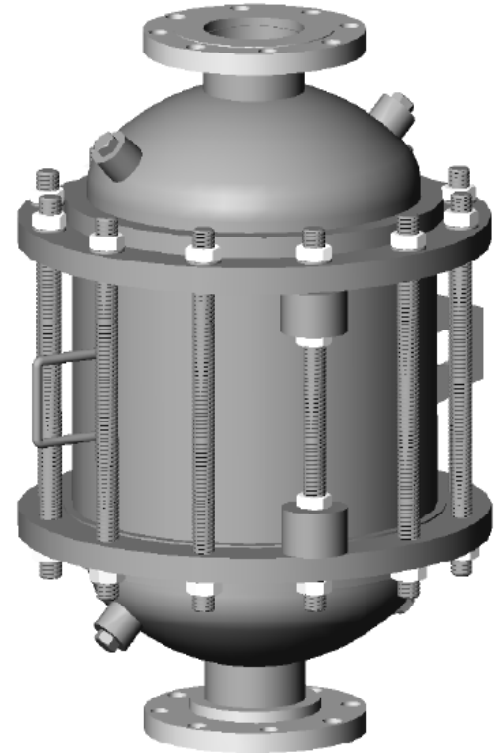
Model 7658 Series are built of corrosion resistant materials throughout. Wafer design construction affords easy accessibility to the flame bank. Additionally, jack screws aid in the removal from the shell assembly. All Aktek flame arrester flame banks utilize spiral wound, crimped ribbon constructed flame elements. These proven, Factory Mutual approved elements have been reported, by NTIS of the Dept. of Commerce, to provide the best flame quenching performance for the least pressure drop. Aktek's special recessed flame bank seating construction uniquely provides an extra measure of protection against leakage and possible flame propagation.

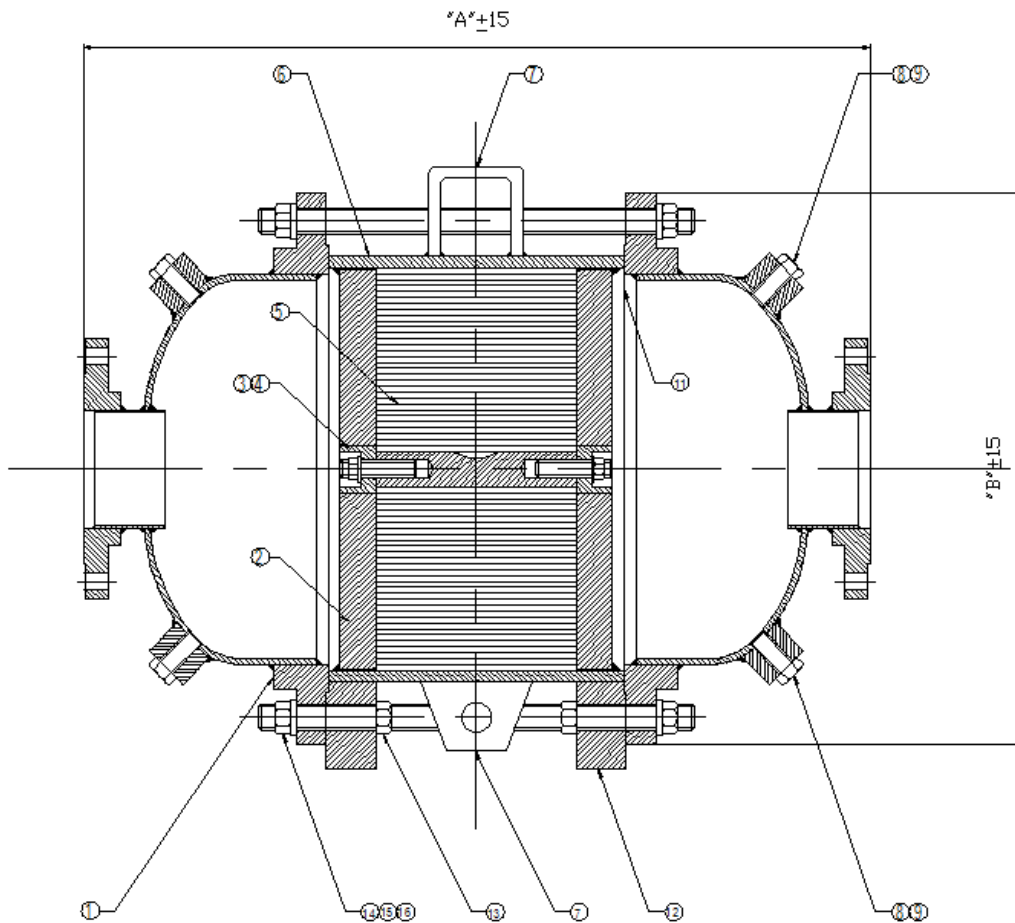
TECHNICAL DATA

- Sizes 2" through 24" (Sizes 2" through 24" USCG approved).
- Low pressure drop with multiple element sizes available for each flange size.
- Easy cleaning.
- Bi-directional flame arresting
- Vertical or horizontal installation.
- Standard materials of construction are carbon steel or stainless steel.
- 316 SS element is Standard.

AKTEK THE CAPABILITY COMPANY

As with all Aktek products, every Detonation Arrester is factory inspected and tested to meet all critical requirements and special needs. Inventory is maintained to ensure rapid delivery.





Prepared SELCUK POLAT

Checked O.A.

Approved IIHSAN AKGUN

Dimensions, [mm]

Size Code		02	03	04	06	08	10	12
Nominal Pipe Size		2"	3"	4"	6"	8"	10"	12"
A	Max.	240	300	380	480	590	650	830
B	Max. Height	345	430	539	648	751	877	1050
C	Flange In Diameter			102				
D	Bolt Circle Diameter			191				
E	Flange Out Diameter			230				
F	Flange Diameter			24				
G	Hole Diameter			20				
H	Number Of Holes			8				

MATERIAL LIST

ITEM	DESCRIPTION	CONSTRUCTION			OPTIONAL FEATURE
		ALUMINUM	CARBON STL	316 SS
1	BODY	AL GR 356 T6	CS WCB	CF-8M(316 SS)	
2	BUSH	Teflon® FED	Teflon® FED	Teflon® FED	
3	ARRESTER ELEMENT	SS	SS	SS	
4	BOLT	SS	SS	SS	
5	NUT	SS	SS	SS	
6	CUP NUT	SS	SS	SS	
7	INLET	CS	ALUMINUM	316 SS	
8	STUD	SS	SS	SS	
9	WASHER	SS	SS	SS	
10	NUT	SS	SS	SS	



Ordering Information

Model Description
8100D Flama arrester

Code Configuration
1 Vent to Atmosphere
2 Pipe Away

Code Model
0B Air Cushion Type
1B All Weater Type

Code Size
2 2"
3 3"
4 4"
6 6"
8 8"
0 10"
1 12"

Code Gauge Hatch Material
1 All- Aluminum Construction
2 Aluminum/Stainless Steel Construction
3 All-Stainless Construction

Code Flame arrester hardware material
· Leave Blank when ordering standart zinc steel
S Stainless steel (Optional)

58 1 0B 8 2 S (Example)

Noter :
Include Model Number When Ordering.
For special options, consult factory.